

H-33 AND H-115 HOTPLATES

H-33 AND H-115 HOTPLATES



Wells Hotplates H-33 and H-115 are dependable and easy-to-use. Flat, spiral elements provide a wider cooking area for more surface contact and are self-cleaning. Drip trays are easily removable for cleaning.

Features

- The six-inch diameter, flat, spiral elements allow for more surface contact.
- The elements are self-cleaning.
- Drip trays are chrome-plated and removable for easy cleaning.
- An infinite control switch with positive-off position controls the element.
- Control knobs are front-mounted with a protective guard ring to help prevent accidental temperature changes.
- The H-33 and H-115 Hotplates are Underwriters Laboratories, Inc. LISTED and meet the National Sanitation Foundation and Canadian standards.
- A one-year warranty against defects covers parts and labor.

Specifications

Dimensions:	Inches	MM
Overall Dimensions (H-33):		
Width	12 5/8	321
Depth	12 5/8	321
Height (incl. 4" legs)	10	254
Overall Dimensions (H-115):		
Width	14 3/4	375
Depth	23 9/16	598
Height (incl. 1" legs)	7	178
Temperature Settings:	OFF/LO to HI	
Number of Controls:	Model	Number
	H-33	1
	H-115	2
Weights:	Lbs.	KG
H-33:		
Installed	11	5
Shipping	14	6
H-115:		
Installed	18	8
Shipping	21	10

Accessories / Options

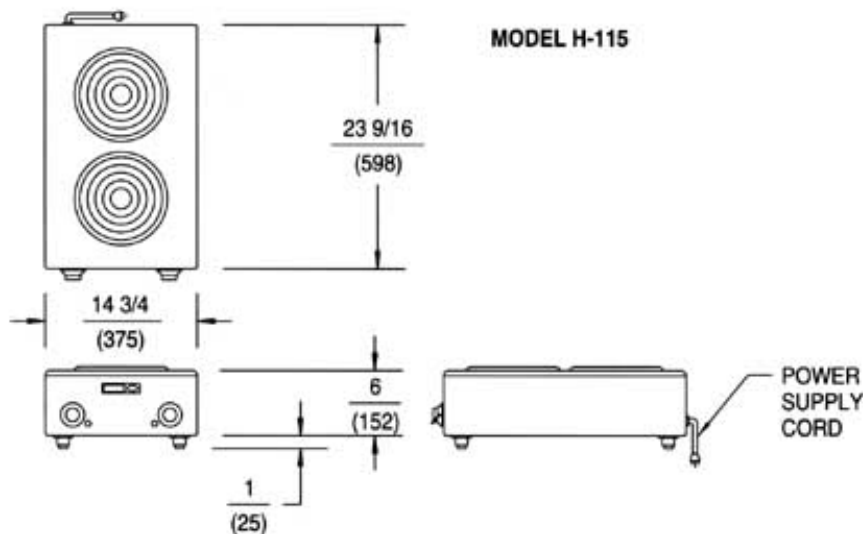
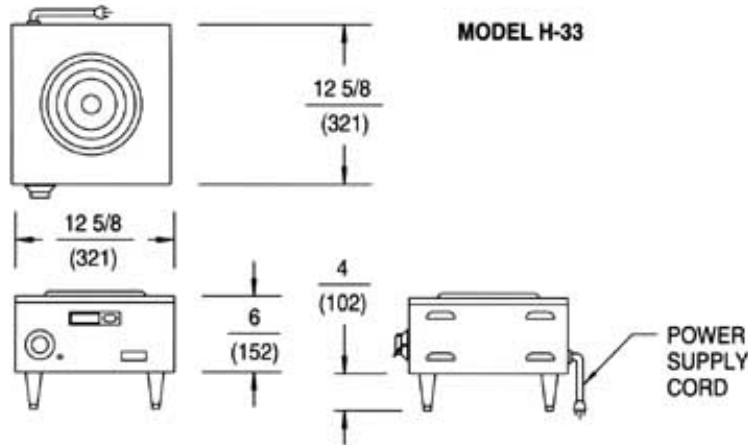
- Legs, set of four, metal, 4" adjustable, 20563
- Legs, set of four, plastic, 1", 21109





DIMENSIONS:

**INCH
(MM)**



H-33 AND H-115 ELECTRICAL SPECIFICATIONS:

MODELS	VOLTS	WATTS	AMPS	PHASE	POWER SUPPLY CORD
H-33	120	1500	12.5	SINGLE	NEMA 5-15P
H-115	120	1650	13.8	SINGLE	NEMA 5-15P

NOTE: Specifications are subject to change without notice.

WELLS MANUFACTURING COMPANY

2 ERIK CIRCLE, PO BOX 280, VERDI, NV 89439 U.S.A.

USA PHONE: (775) 345-0444 • FAX: (775) 345-0569

FOR ORDERS ONLY: (888) 356-5362 • FAX: (800) 356-5142 • www.wellsbloomfield.com

A SPECIALTY EQUIPMENT COMPANY • 2000 WELLS MANUFACTURING • PRINTED IN THE U.S.A.
6/00 • REV(H) • PART NO. 38859

