

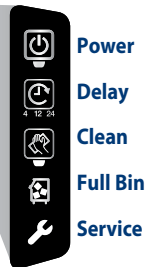
NEO™ 140/190 Undercounter Ice Machines

Models

- | | | | |
|-----------------------------------|-----------------------------------|-----------------------------------|-----------------------------------|
| <input type="checkbox"/> UR-0140A | <input type="checkbox"/> UD-0140W | <input type="checkbox"/> UY-0140W | <input type="checkbox"/> UD-0190A |
| <input type="checkbox"/> UD-0140A | <input type="checkbox"/> UY-0140A | <input type="checkbox"/> UR-0190A | <input type="checkbox"/> UY-0190A |



U-140 / U-190



- Ranging from 140 lbs. (64 kg) to 190 lbs. (79 kg) daily ice production
- Only 26" (66.04 cm) wide, 28.00" (67.31 cm) deep, and 38.50" (82.55 cm) high on 6" (15.24 cm) legs
- Up to 90 lb. (40.8 kg) ice storage capacity

NEO undercounter ice machines are designed to provide ice right where you need it – within reach. Improvements in **Performance**, **Intelligence** and **Convenience** make your ice machine easy to own and less expensive to operate.

Performance – NEO produces more ice than ever before while using less water and energy. The storage bin provides industry leading capacity.

Intelligence – NEO provides feedback with full bin and service indicators. Delay function allows you to pause your machine for slow periods or days when you're closed.

Convenience – NEO offers a forward-sliding storage bin for easy access to refrigeration components without having to move the entire ice machine. Smooth, sealed food-zone with removable water trough, distribution tube, and damper door for faster cleaning. AlphaSan added to key internal components.

Available **LuminIce™ Growth Inhibitor** extends cleaning intervals by reducing yeast and bacteria growth keeping your ice machine cleaner, longer.



Specifications

BTU Per Hour:

U-140: 2,150 (average)
2,600 (peak)

U-190: 2,150 (average)
2,600 (peak)

Compressor:

Nominal rating: .42 HP

Cupra-Nickel Condenser:

(Water-cooled models)
Adds protection from corrosive water elements.

Operating Limits:

• Ambient Temperature Range:
40° to 110°F (4.4° to 43.3°C)

• Water Temperature Range:
45° to 90°F (4.4° to 32.2°C)

• Water Pressure Ice Maker
Water In:
Min. 20 psi (137.9 kPa)
Max. 80 psi (551.1 kPa)

• Condenser Inlet Water In:
(Water-cooled only)
Min. 20 psi (137.9 kPa)
Max. 150 psi (1,034.2 kPa)

Ice Shape



Half Dice

3/8" x 1 1/8" x 7/8"
(.95 x 2.86 x 2.22 cm)



Dice

7/8" x 7/8" x 7/8"
(2.22 x 2.22 x 2.22 cm)



Regular

1 1/8" x 1 1/8" x 7/8"
(2.86 x 2.86 x 2.22 cm)

Ice Machine Electric

Power Cord:

115/60/1 ice machines are factory pre-wired with a 6' (180 cm) power cord and NEMA 5-15P-plug configuration. 208-230/60/1 ice machines are factory pre-wired with a 6' (180 cm) power cord only, no plug is supplied.

Total Amps:

U-140: 115/60/1: Air-cooled and Water-cooled: 5 amps
208-230/60/1: Air-cooled and Water-cooled: 2.5 amps

U-190: 115/60/1: Air-cooled: 6 amps
208-230/60/1: Air-cooled: 2.5 amps

Maximum fuse size:

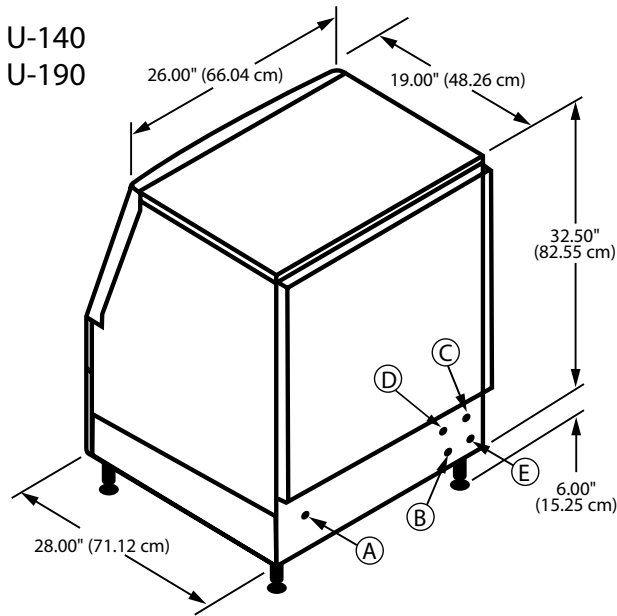
Air-cooled and Water-cooled: 15 amps
HACR-type circuit breakers can be used in place of fuses.



COMPANY WITH
QUALITY SYSTEM
CERTIFIED BY DNV
=ISO 9001:2008 =



NEO™ 140/190 Undercounter Ice Machines



Installation Note Recommended clearance for top, sides, and back is 5" (12.7 cm) however, there is no minimum clearance required.

- (A) Electrical Entrance
- (B) 3/8" (0.95 cm) F.P.T. Ice Making Water Inlet
- (C) 1/2" (1.27 cm) F.P.T. Minimum Water Condenser Outlet (water-cooled units)
- (D) 3/8" (0.95 cm) F.P.T. Water Condenser Inlet (water-cooled units)
- (E) 1/2" (1.27 cm) F.P.T. Ice Bin Drain

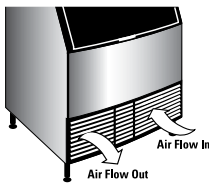
Specifications

Model	Ice Shape	Ice Production 24 Hours				Power kWh/ 100 lbs. @ 90°/70°F 32°/21°C	Potable water usage gal/100 lbs. ice @90/70°F	ENERGY STAR®
		70°Air/50°F Water 21°Air/10°C Water		90°Air/70°F Water 32°Air/21°C Water				
UR-0140A	regular	122 lbs	59 kg	90 lbs	41 kg	11.3	23.3	★
UD-0140A	dice	129 lbs	59 kg	95 lbs	43 kg	11.1	24.4	★
UD-0140W	dice	135 lbs	61 kg	104 lbs	49 kg	9.4	23.8	NA
UY-0140A	half-dice	132 lbs	60 kg	95 lbs	43 kg	11.1	24.9	★
UY-0140W	half-dice	126 lbs	57 kg	104 lbs	45 kg	9.4	22.9	NA
UR-0190A	regular	188 lbs	85 kg	133 lbs	60 kg	8.7	21.3	★
UD-0190A	dice	198 lbs	90 kg	140 lbs	64 kg	8.4	23.9	★
UY-0190A	half-dice	193 lbs	88 kg	140 lbs	64 kg	8.3	21.6	★

Water-cooled Condenser: 185 gal. / 700 liters

Water-cooled models are excluded from ENERGY STAR qualification.

Air Flow



Air in right, air out left, no side vents. Great for installation under countertops and next to other equipment.

Removable Bin



Air Filter



Simple, tool-free removal for quick access during routine cleaning and maintenance.