

## Delta 5

Project \_\_\_\_\_  
 Item \_\_\_\_\_  
 Quantity \_\_\_\_\_  
 CSI Section 11400 \_\_\_\_\_  
 Approval \_\_\_\_\_  
 Date \_\_\_\_\_

### Models

Delta 5



### Standard Features

- Push button start
- Automatic fill, cycle and drain
- Solid state timer
- Easily accessible controls
- 3 way dispensing system for detergent, rinse additive and sanitizer
- Stainless steel wash pump
- Lower rotary wash arm and fixed upper jets
- Functions as both a glasswasher and a dishwasher, accommodating wares up to 11" (279 mm) high
- Door safety switch
- Adjustable bullet feet
- Swing out control box for easy service and access
- Side control panel for easy access to switches
- Dial temperature gauge for constant monitoring of temperature
- Latch type front lower panel

### Optional Features

- Side Skirt Panels (No charge if initially specified)

### Accessory Items

- 36 Compartment Racks 4-1/8", 5-5/8", or 7" (105 mm, 143 mm, 178 mm)
- Combination Rack
- Peg Rack
- Flat Rack
- Half Rack
- Scaltrol
- Water Hammer Arrestor

### Specifications

Uses only 1.2 gallons (5 liters) of water per cycle

Cleans 37 racks per hour

925 glasses per hour

92 second operating cycle

Powerful 3/4 HP wash pump motor

Built-in chemical pumps

Air gap water inlet

11-1/2" (292 mm) wash chamber clearance

Gravity drain

Built-in waste accumulator

Sustaining heating element maintains final rinse between 120°F (49°C) and 140°F (60°C)

Removable end plugs on lower wash arm and removable upper jets

Stainless steel main frame

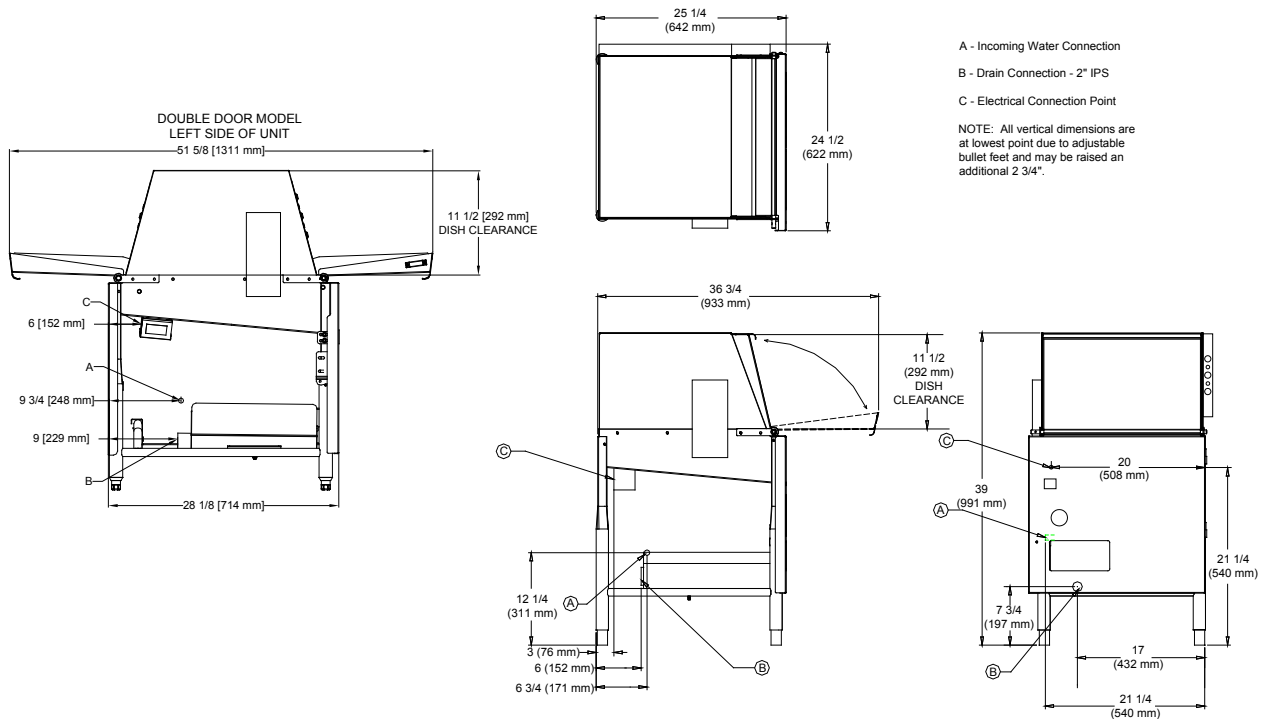
Available in a double door model





# Jackson

## Delta 5



MACHINE DIMENSIONS				
INSIDE CLEARANCE HEIGHT	INSIDE CLEARANCE WIDTH	INSIDE CLEARANCE DEPTH	DOOR OPEN DEPTH	WALL CLEARANCE (MINIMUM)
11-1/2" (292 mm)	20-1/4" (514 mm)	20.5" (521 mm)	36-3/4" (933 mm)	2" (51 mm)

SHIPPING DIMENSIONS					
WEIGHT	CLASS	CUBE	HEIGHT	WIDTH	DEPTH
210 lbs (95 kg)	92.5	30 cu. ft.	54" (1372 mm)	30" (762 mm)	32" (813 mm)

APPROXIMATE TOTAL LOAD AMPS	
115/60/1	16.0

OPERATING CAPACITY	
Racks Per Hour	37
Dishes Per Hour	925
Glasses Per Hour	925

ELECTRICAL REQUIREMENT	
Rinse Booster Tank Heater	2.0 KW
Wash Pump HP	3/4

OPERATING CYCLE	
Wash Cycle (Seconds)	46
Rinse Time (Seconds)	25
Dwell Time (Seconds)	21
Total Cycle (Seconds)	92

WATER REQUIREMENTS	
Gallons Per Hour	44 (167 liters)
Flow Rate GPM	1.0 (4 liters)
Flow Pressure (PSI)	15 - 25
Waterline Size (IPS)	1/2
Drainline Size OD	2

OPERATING TEMPERATURES	
Wash (Minimum)	120° F / 49° C
Wash (Recommended)	140° F / 60° C
Tank Capacity	1.2 Gallons (5 liters)
Wash Pump Capacity (GPM)	61 (231 liters)

SANITIZERS AVAILABLE	
Solium Hypochlorite	50 PPM
Lodiphor	12.5 PPM

HOW TO SPECIFY - EXAMPLE:  
Delta 5

Highway 25E  
P. O. Box 1060  
Barbourville, KY 40906

Tel: 606-523-9795  
Tel: 1-888-800-5672  
Fax: 606-523-9196  
E-mail: info@jacksonmsc.com

www.jacksonmsc.com  
7610-002-66-56 (04/07)

