

GUSTO STAINLESS UTILITY CARTS

Models CART300S & CART500S

Features & Benefits:

Utility carts are constructed of heavy gauge stainless steel for superior strength and durability.

Easy to clean tig welded construction provides added durability as compared to other, spot welded utility carts.

Available in 300 lbs and 500 lbs capacities.

Non-marking soft rubber bumper prevent scratches and scuffs on walls.

Warranty:

Gusto Stainless Steel Utility Carts are covered by Carlisle's 1 year limited warranty.



1
Clean Tig
Welding



2
Top Quality
Construction



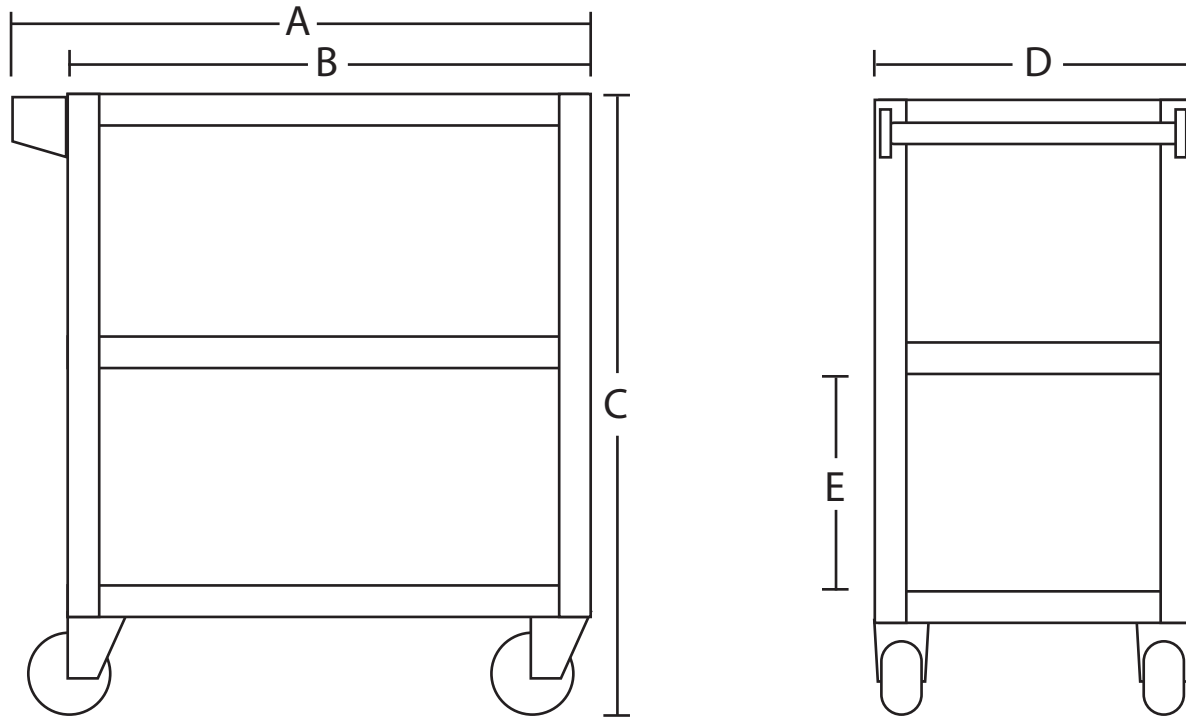
3
Non-Marking
Bumpers



4
Durable
Rubber Casters

GUSTO STAINLESS UTILITY CARTS

Models CART300S & CART500S



Gusto Stainless Steel Utility Carts

Specifications

Model No.	A (inches)	B (inches)	C (inches)	D (inches)	E (inches)	Capacity (lbs)	Material
CART300S	26.75	24	36	15.5	11	300	18-10 Stainless Steel
CART500S	29.75	27	36	18	11	500	18-10 Stainless Steel

Shipping Information

Model No.	CART300S	CART500S
Case Weight	37 lbs	52 lbs
Case Cube	13.7 cu. ft.	15.51 cu. ft.
Case Length	32"	34"
Case Width	20"	21.75"
Case Height	37"	36.25"

Due to periodic changes in designs, methods, procedures, policies and regulations, the specifications contained in this sheet are subject to change without notice. While Carlisle Foodservice Products exercises good faith efforts to provide information that is accurate, we are not responsible for errors or omissions in information provided or conclusions reached as a result of using the specifications. By using the information provided, the user assumes all risks in connection with such use.

GUSTO EQUIPMENT www.gustoequipment.com info@gustoequipment.com

WARRANTY/SERVICE: ph. 800.654.8210 fax 800.872.4701

032014

GUSTO[®]
EQUIPMENT