



UC4432N Undercounter

Reduced Height Front-Breathing Self-Contained Undercounter Refrigerated Bases

Project _____
 Item _____
 Quantity _____
 CSI Section 11400
 Approved _____
 Date _____

UC4432N Undercounter: Reduced Height Front-Breathing Self-Contained Undercounter Refrigerated Bases

Models

- UC4432N Single section refrigerator undercounter with a door
- UCD4432N Single section refrigerator undercounter with drawers



UC4432N

Standard Features

- 100% front breathing, which allows the unit to be pushed against a wall or built into a cabinet or an existing line up
- Durable, rugged stainless steel sides, top and front
- Features Delfield's exclusive ABS interior (on sides). ABS is extremely durable - it won't dent, chip or corrode and is backed by a limited lifetime warranty
- Heavy duty self-closing hinges
- "D" prefix models feature Delfield's exclusive new drawer system. Drawers are backed by a 10-year warranty on the track assembly
- Environmentally friendly R404A refrigerant
- High density foamed in place environmentally friendly, Kyoto Protocol Compliant, Non ODP (Ozone Depletion Potential), Non GWP (Global Warming Potential) polyurethane keeps energy costs low
- Black recessed quick grip handle
- Standard on 3" casters for easy cleaning and installation
- 60-cycle single phase electrical system
- 6' cord and plug supplied

- One epoxy coated wire shelf standard, installed per door section
- Electromechanical control
- One year parts and 90 day labor standard warranty

Options & Accessories

- 18" wide single tier overself
 - Stainless steel finish on back
 - Plastic laminate on front
 - Additional wire shelves
 - Door lock (solid door models only)
 - Exterior thermometer (solid door models only)
 - Interior lights
 - Glass door(s)
 - 220V/50 Hertz electrical system*
- * Inclusion of this option will alter electrical specifications of the unit

Specifications

Exterior top is one-piece, 22-gauge stainless steel with integral 2.12" (5.4cm) square nosing on the front.

Exterior back and bottom are two-piece 24-gauge galvanized steel. Exterior ends are stainless steel.

Interior sides of door models are thermoformed ABS plastic with integral shelves supports. Interior back is one-piece 22-gauge stainless steel. Interior bottom and top are thermoformed ABS plastic. Base is fully insulated with high-density foamed in place environmentally friendly, Kyoto Protocol Compliant, Non ODP (Ozone Depletion Potential), Non GWP (Global Warming Potential) polyurethane.

Refrigeration system uses HFC-404A refrigerant. Compressor is 1/5 H.P., with condenser coil and condensate evaporator mounted on rear of the cabinet. Evaporator coil is located on the interior rear wall of the cabinet. Refrigerant flow is controlled by a capillary tube. Cabinet maintains an interior cabinet temperature of 36°F to 40°F (2°C to 4°C).

Electromechanical control is mounted on the right side of the evaporator housing inside the cabinet. It allows the unit to maintain consistent temperatures in heavy duty conditions.

Electrical connections are 115 volt, 60 Hertz, single phase. Unit has a 6' (1.8m) long electrical cord and NEMA 5-15P plug.

Casters: Equipment is mounted on 3" (7.6cm) diameter plate casters. Equipment clearance above the floor is 0.66" (1.7cm).

Doors have a 24-gauge stainless steel exterior, with thermoformed ABS plastic interior liner. Cabinet of door models has one adjustable epoxy-coated wire shelf.

Drawers have a 24-gauge stainless steel exterior with thermoformed ABS plastic interior liner. Drawer frames are 12-gauge stainless steel. Drawer slides are 11-gauge stainless steel with Delrin bearings. Drawer units have two drawers. Top drawer holds two 12" x 20" (30.5cm x 50.8cm), 4"-6" (10.2cm-15.2cm) deep pans. Bottom drawer holds two 12" x 20", 4" deep pans. Pans are supplied by others.



Only Model UC4432N

980 S. Isabella Rd.
Mt. Pleasant, Michigan 48858

Phone: 800-733-8948 or 989-773-7981
Fax: 800-669-0619

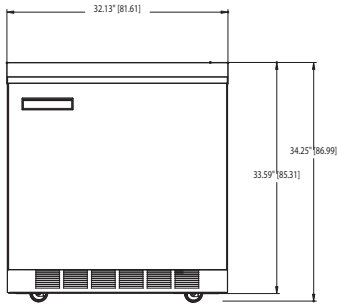
www.delfield.com



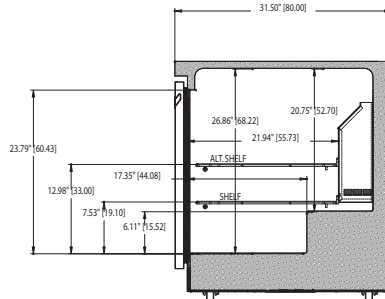


Reduced Height Front-Breathing Self-Contained Undercounter Refrigerated Bases

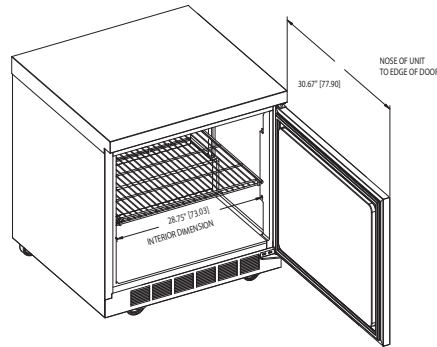
UC4432N Undercounter



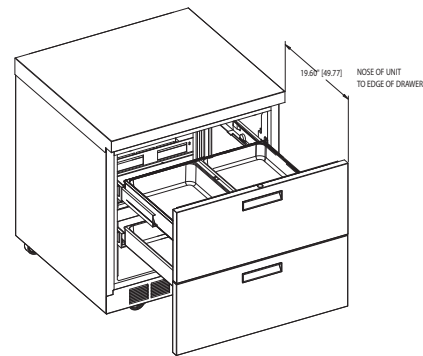
UC4432N Elevation View



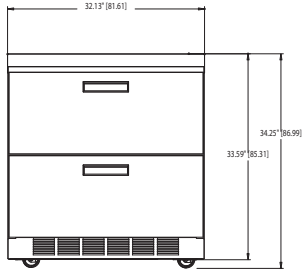
UC4432N Right Side View



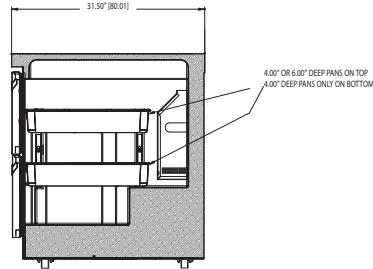
UC4432N ISO View



UCD4432N ISO View



UCD4432N Elevation View



UCD4432N Right Side View

INSTALLATION NOTE:

Refrigeration system is designed so that air will flow under the unit, through the compressor area and out the front of the unit. Any restriction to this air flow path will void the warranties.

PLEASE NOTE:

Air flow through the louver on the back of the unit is not necessary for operation, however, any air which passes through the louver is beneficial.

Specifications

Model	# of Shelves	Shelf Area	Volume	H.P.	V/Hz/Ph	Amps	Nema Plug	Ship Weight	Energy KWH/Day
UC4432N	1	3.88ft ²	10.10ft ³	1/5	115/60/1	3.9	5-15P	245lbs/111kg	2.30
UCD4432N	NA	NA	10.10ft ³	1/5	115/60/1	3.9	5-15P	293lbs/133kg	NA

Delfield reserves the right to make changes to the design or specifications without prior notice.

980 S. Isabella Rd.
Mt. Pleasant, Michigan 48858

Phone: 800-733-8948 or 989-773-7981
Fax: 800-669-0619
www.delfield.com

Printed in the U.S.A.
DSUC4432N
08/12

