



Customization Comes Standard

New!

- Countless configurations for any situation
- Fully-portable system keeps food cold for hours
- Easy care and unmatched durability
- All components are fully compliant with 2011 NSF requirements

CAMBRO
TRUSTED FOR GENERATIONS™

The Versa Food Service System

| CODE | DESCRIPTION | OVERALL EXTERIOR DIMENSIONS L x W x H | CASE LBS. (CUBE) |
|---------------------|--------------------------|---------------------------------------|------------------|
| Vinyl Covers | | | |
| VBRCVR5 | Versa Cover for 5' Bar | 73" x 43½" x 46" | 8 (0.25) |
| VBRCVR6 | Versa Cover for 6' Bar | 83" x 43½" x 46" | 9 (0.25) |
| VBRTCVR5 | Versa Cover for 5' Table | 70" x 33½" x 21" | 4 (0.25) |
| VBRTCVR6 | Versa Cover for 6' Table | 83" x 33½" x 21" | 5 (0.25) |
| VCSCVR | Versa Cover for Cart | 42" x 33" x 36" | 3.5 (0.25) |

Color: Opaque (000). Case Pack: 1

| CODE | DESCRIPTION | OVERALL EXTERIOR DIMENSIONS L x W x H | CASE LBS. (CUBE) |
|----------------------|----------------------------|---------------------------------------|------------------|
| Merchandising | | | |
| VBRSHTS | Versa Food Bar Sign Holder | 36" x 6" x 9¼" | 9 (3.33) |

Color: Clear (152).

| CODE | DESCRIPTION | OVERALL EXTERIOR DIMENSIONS L x W x H | CASE LBS. (CUBE) |
|--------------------------|--------------------------|---------------------------------------|------------------|
| Other Accessories | | | |
| CPB1220 | Buffet Camchiller® | 18½" x 12½" x 4" | 10.82 (0.61) |
| VBRWC | Versa Well Cover | 20¾" x 13" x 2" | 3.72 (0.44) |
| VCS32KEYT | Versa Cart Keyboard Tray | 20¾" x 10¾" x 2" | 2.64 (0.39) |

Buffet Camchiller Color: Cold Blue (159). Well Cover Colors: Black (110), Bronze (146), Hot Red (158), Navy Blue (186), Kentucky Green (519).

Keyboard Tray Color: Black (110). Case Pack: 1



InStock Versa Food Bar, Versa Work Table, Versa Cart Color: Black (110). Made to order Colors: Bronze (146), Hot Red (158), Navy Blue (186), Kentucky Green (519).



Tray Rail and End Table Colors: Granite Gray (191), Sandstone (614).

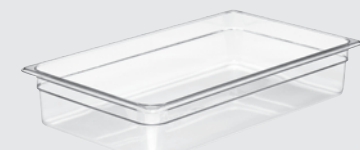


For more information about Cambro products, contact your Distributor, Cambro Sales Representative or the Cambro Customer Service Department.



**Coldfest®
Gastronorm Crock**

Hold cold food at safe temperatures without ice for hours.



**Camwear®
Food Pans**

Store, transport and serve all in one pan. Virtually unbreakable, crystal clear polycarbonate keeps contents as cold as metal pans with less condensation.



Scallop Grip Tongs

Easily grasp hard to hold items such as salad greens and tomatoes.

CAMBRO
TRUSTED FOR GENERATIONS™

CAMBRO U.S.A.
5801 Skylab Road, Huntington Beach, CA 92647 P.O. Box 2000, Huntington Beach, CA 92647
Telephone: (714) 848-1555 Toll Free: (800) 854-7631 FAX: (714) 842-4375
Customer Service: (800) 833-3003 © 2009 Cambro Manufacturing Company.
Prices subject to change without prior notification. Printed in the U.S.A. 6/09.
LIT2952 D090917 Versa Food SS

The Versa Food Service System

| CODE | DESCRIPTION | OVERALL EXTERIOR DIMENSIONS L x W x H | FULL PAN SIZE CAPACITY | WELL INTERIOR DIMENSIONS L x W x H | CASE LBS. (CUBE) |
|---|----------------------------|---------------------------------------|------------------------|------------------------------------|------------------|
| Versa Food Bars™ - Standard Height | | | | | |
| VBR5 | 5' with Standard Casters | 69" x 42½" x 62¾" | 4 | 52½" x 21" x 7½" | 183 (39) |
| VBRLHD5 | 5' with Heavy Duty Casters | 69" x 42½" x 62¾" | 4 | 52½" x 21" x 7½" | 189.9 (39) |
| VBR6 | 6' with Standard Casters | 82" x 42½" x 62¾" | 5 | 65½" x 21" x 7½" | 214 (46) |
| VBRLHD6 | 6' with Heavy Duty Casters | 82" x 42½" x 62¾" | 5 | 65½" x 21" x 7½" | 224.5 (46) |

| CODE | DESCRIPTION | OVERALL EXTERIOR DIMENSIONS L x W x H | FULL PAN SIZE CAPACITY | WELL INTERIOR DIMENSIONS L x W x H | CASE LBS. (CUBE) |
|-------------------------------------|----------------------------|---------------------------------------|------------------------|------------------------------------|------------------|
| Versa Food Bars - Low Height | | | | | |
| VBRL5 | 5' with Standard Casters | 69" x 42½" x 55¼" | 4 | 52½" x 21" x 7½" | 175 (39) |
| VBRLHD5 | 5' with Heavy Duty Casters | 69" x 42½" x 55¼" | 4 | 52½" x 21" x 7½" | 181.9 (39) |
| VBRL6 | 6' with Standard Casters | 82" x 42½" x 55¼" | 5 | 65½" x 21" x 7½" | 202.5 (46) |
| VBRLHD6 | 6' with Heavy Duty Casters | 82" x 42½" x 55¼" | 5 | 65½" x 21" x 7½" | 213 (39) |

| CODE | DESCRIPTION | OVERALL EXTERIOR DIMENSIONS L x W x H | FULL PAN SIZE CAPACITY | WELL INTERIOR DIMENSIONS L x W x H | CASE LBS. (CUBE) |
|--|----------------------------|---------------------------------------|------------------------|------------------------------------|------------------|
| Versa Work Tables - Standard Height | | | | | |
| VBRT5 | 5' with Standard Casters | 69" x 27" x 36¼" | 4 | 52½" x 21" x 7½" | 120 (24) |
| VBRLHD5 | 5' with Heavy Duty Casters | 69" x 27" x 36¼" | 4 | 52½" x 21" x 7½" | 130.5 (24) |
| VBRT6 | 6' with Standard Casters | 82" x 27" x 36¼" | 5 | 65½" x 21" x 7½" | 137.5 (28) |
| VBRLHD6 | 6' with Heavy Duty Casters | 82" x 27" x 36¼" | 5 | 65½" x 21" x 7½" | 148 (28) |

| CODE | DESCRIPTION | OVERALL EXTERIOR DIMENSIONS L x W x H | FULL PAN SIZE CAPACITY | WELL INTERIOR DIMENSIONS L x W x H | CASE LBS. (CUBE) |
|---------------------------------------|----------------------------|---------------------------------------|------------------------|------------------------------------|------------------|
| Versa Work Tables - Low Height | | | | | |
| VBTL5 | 5' with Standard Casters | 69" x 27" x 29¼" | 4 | 52½" x 21" x 7½" | 112 (24) |
| VBTLHD5 | 5' with Heavy Duty Casters | 69" x 27" x 29¼" | 4 | 52½" x 21" x 7½" | 122.5 (24) |
| VBTL6 | 6' with Standard Casters | 82" x 27" x 29¼" | 5 | 65½" x 21" x 7½" | 129.5 (28) |
| VBTLHD6 | 6' with Heavy Duty Casters | 82" x 27" x 29¼" | 5 | 65½" x 21" x 7½" | 140 (28) |

InStock Color: Black (110). Made to Order Colors: Bronze (146), Hot Red (158), Navy Blue (186), Kentucky Green (519). Case Pack: 1

| CODE | DESCRIPTION | OVERALL EXTERIOR DIMENSIONS L x W x H | CASE LBS. (CUBE) |
|-------------------|---|---------------------------------------|------------------|
| Versa Cart | | | |
| VCSWR | With dual Tray Rails and Standard Casters | 52¼" x 32¼" x 43" | 127 (37.3) |
| VCSWRHD | With dual Tray Rails and Heavy Duty Casters | 52¼" x 32¼" x 43" | 138.4 (37.3) |
| VCS | With Standard Casters and no Tray Rails | 32¼" x 32" x 43" | 117.5 (37.3) |
| VCSHD | With Heavy Duty Casters and no Tray Rails | 32¼" x 32" x 43" | 128.8 (37.3) |

InStock Color: Black (110). Made to Order Colors: Bronze (146), Hot Red (158), Navy Blue (186), Kentucky Green (519). Case Pack: 1

| CODE | DESCRIPTION | OVERALL EXTERIOR DIMENSIONS L x W x H | CASE LBS. (CUBE) |
|-------------------|-------------------------------|---------------------------------------|------------------|
| Tray Rails | | | |
| VBRR5 | 5' Tray Rail - Versa Food Bar | 53" x 11½" x 4½" | 9.66 (1.8) |
| VBRR6 | 6' Tray Rail - Versa Food Bar | 66" x 11½" x 4½" | 15.57 (2.3) |
| VCS32R | Tray Rail - Versa Cart | 28" x 11¼" x 5" | 8.06 (1.09) |

Colors: Granite Gray (191), Sandstone (614). Case Pack: 1

| CODE | DESCRIPTION | OVERALL EXTERIOR DIMENSIONS L x W x H | CASE LBS. (CUBE) |
|-------------------|--|---------------------------------------|------------------|
| End Tables | | | |
| VBRTBL5 | For Standard Height Bars and Tables - 5' | 27" x 22" x 4½" | 12.92 (2.55) |
| VBRTBL5 | For Low Height Bars and Tables - 5' | 27" x 22" x 4½" | 13.10 (2.55) |
| VBRTBL6 | For Standard Height Bars and Tables - 6' | 27" x 22" x 4½" | 12.60 (2.55) |
| VBRTBL6 | For Low Height Bars and Tables - 6' | 27" x 22" x 4½" | 12.84 (2.55) |

Colors: Granite Gray (191), Sandstone (614). Case Pack: 1

| CODE | DESCRIPTION | OVERALL EXTERIOR DIMENSIONS L x W x H | CASE LBS. (CUBE) |
|-------------------|---|---------------------------------------|------------------|
| Connectors | | | |
| VBRC | Straight Connector - Bar to Bar | 27" x 19" x 4¼" | 10.58 (1.5) |
| VBRC90 | Corner Connector - Bar to Bar | 36" x 36" x 4¼" | 21.26 (3.7) |
| VCS32CNT | Connector - Cart to Standard Height Bar / Table | 27" x 20¾" x 3¼" | 10.75 (1.19) |
| VCSCNL | Connector - Cart to Low Height Bar / Table | 27" x 20¾" x 8½" | 14.62 (2.55) |

Colors: Black (110), Bronze (146), Hot Red (158), Navy Blue (186), Kentucky Green (519). Case Pack: 1

What's Your Angle?

The Versa Food Service System Has You Covered.

The Versa Food Service System provides custom designs without the custom price. This stylish, completely portable system goes anywhere and keeps food cold with either ColdFest® pans or Buffet Camchillers®. Whether it's space considerations, frequent menu changes or merchandising requirements, the Versa Food Service System offers unequalled versatility.

Build-A-Bar

- Use the Straight or Corner Connector to connect Versa Food Bars™, Work Tables and Carts to create a professional, uniform look.
- Connect two Versa Food Bars for an upscale salad bar.
- Attach a Work Table to a Food Bar to merchandise snacks and beverages.
- Join a Cart with a Food Bar for faster check-out and improved traffic flow.
- Connect the Cart to a Work Table to create a snack or beverage station.
- Maximize space by connecting two Food Bars with the Corner Connector.



Sneeze Guards Are Compliant With 2011 NSF Requirements

Functionality Featured

Versa Cart Keyboard Tray

Convenient, pull-out keyboard tray improves ergonomics.



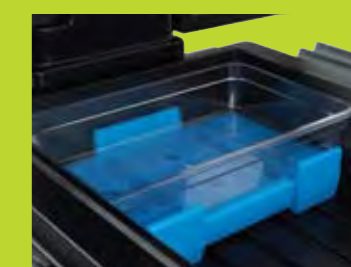
Versa Work Table

This table works overtime as a prep station or the ideal place for holding cold beverages and snacks.



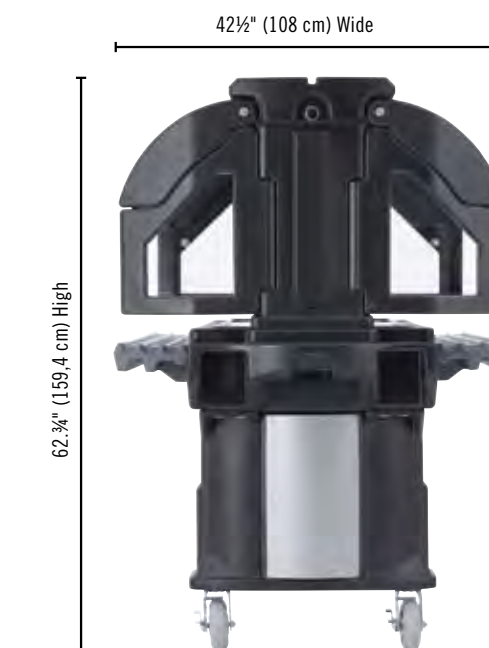
Buffet Camchillers®

Extend safe, cold holding time without ice. Dual-sided Buffet Camchillers hold 2½" (6,5 cm) and 4" (10 cm) pans. Buffet Camchillers fit perfectly in the Versa Food Bar and Versa Work Table.



Portability Redefined

- One person can set-up or knock-down the sneeze guards and tray rails for transport or storage in only 30 seconds!
- Ergonomic, molded-in handles on both sides ensure easy maneuvering.
- Easily fits through a standard 36" (91,5 cm) doorway with the sneeze guards and side rails knocked down.
- The optional heavy-duty 6" x 2" (15 x 5 cm) casters enhance the mobility and durability.



25% More Space Savings



Versa Food Service System components offer countless configurations!

Versa Food Bar

5 or 6 Feet (152 or 183 cm)

The main component of the system is versatile and mobile. Knock-down sneeze guards allow for easy cleaning and set-up. Add an end table to hold trays or plates.



Versa Work Table

5 or 6 Feet (152 or 183 cm)

The multipurpose Work Table is perfect as a prep table, display station or serving station. Use with or without removable well covers.



Versa Cart

Holds electrical equipment such as a computer or check-out terminal. Adjustable shelf can hold a printer. Front panel makes electrical access convenient and the security cable anchor keeps electronics protected. Tray rails easily adjust to a lower height.



Versa Corner Connector

Maximize space and merchandising options. Use to connect multiple Versa Food Bars, Versa Work Tables or a combination.



Versa Straight Connector

Easily and safely attach multiple components together to create a contiguous system. Use to connect multiple Versa Food Bars, Versa Work Tables or a combination.

